

# PRODUCT INFORMATION PACKET

Model No: 5KH36MNB637X  
Catalog No: H926  
1/2,1725,DP,48Y,1/60/115  
Carbonator Pump



Regal and Marathon are trademarks of Regal Beloit Corporation or one of its affiliated companies.  
©2018 Regal Beloit Corporation, All Rights Reserved. MC017097E

**Product Information Packet: Model No: 5KH36MNB637X, Catalog No:H926 1/2,1725,DP,48Y,1/60/115**

**Nameplate Specifications**

Output HP	<b>1/2 Hp</b>	Output KW	<b>0.37 kW</b>
Frequency	<b>60 Hz</b>	Voltage	<b>115 V</b>
Current	<b>7.2 A</b>	Speed	<b>1725 rpm</b>
Service Factor	<b>1</b>	Phase	<b>1</b>
Efficiency	<b>66 %</b>	Duty	<b>Continuous</b>
Insulation Class	<b>B</b>	KVA Code	<b>N</b>
Frame	<b>48Y</b>	Enclosure	<b>Drip Proof</b>
Overload Protector	<b>AUTO</b>	Ambient Temperature	<b>40 °C</b>
Drive End Bearing Size	<b>6203</b>	Opp Drive End Bearing Size	<b>6203</b>
UL	<b>Recognized</b>	CSA	<b>Yes</b>
CE	<b>N</b>		

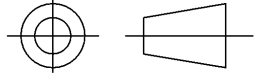
**Technical Specifications**

Electrical Type	<b>Split Phase</b>	Starting Method	<b>SM</b>
Poles	<b>4</b>	Rotation	<b>Counterclockwise/Clockwise</b>
Mounting	<b>Resilient Base</b>	Motor Orientation	<b>ANY</b>
Drive End Bearing	<b>BALL</b>	Opp Drive End Bearing	<b>BALL</b>
Frame Material	<b>Rolled Steel</b>	Overall Length	<b>8.75 in</b>
Frame Length	<b>6.22 in</b>	Shaft Diameter	<b>0.63 in</b>
Shaft Extension	<b>0.17 in</b>		
Outline Drawing	<b>52A111834P1</b>	Connection Diagram	<b>52A110586</b>

**This is an uncontrolled document once printed or downloaded and is subject to change without notice. Date Created: 10/08/2018**

SHEET 1  
REV 1  
52A111834  
SIZE DRAWING NO. A

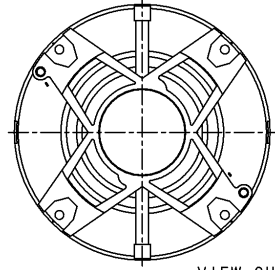
THIRD ANGLE PROJECTION



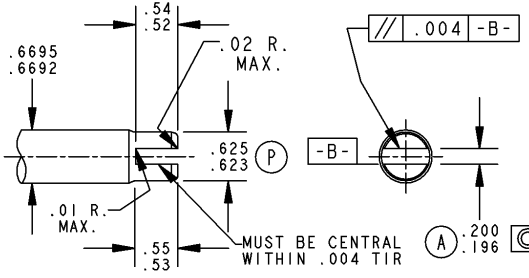
REVISIONS

REV.	DESCRIPTION	DATE	APPROVED
I	ADDED PART# 2 PER ISO7-2678	01/28/08	BOMMU

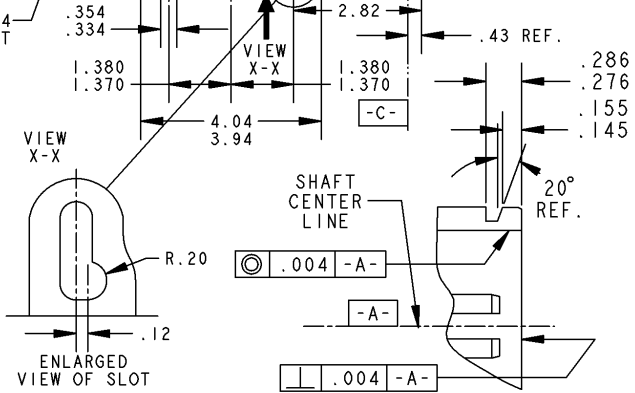
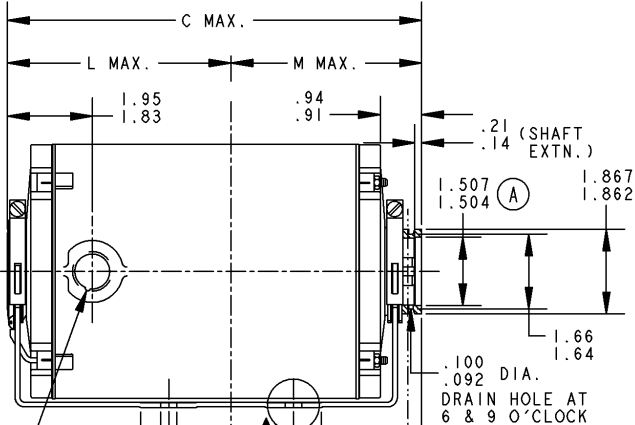
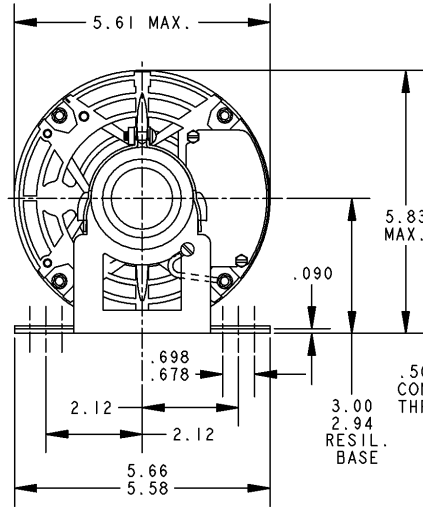
CONTROL SURFACES & DIMENSIONS  
 (P) PROC.  
 (E) ENG.  
 (A) APPL.  
 (R) REG.



VIEW SHOWING P.E. VENTILATION OPENINGS



MUST BE CENTRAL WITHIN .004 TIR



2	KH	37	48Y	9.15	5.01	4.28
1	KH	36	48Y	8.75	4.61	4.28
P	TYPE	RBC SIZE	NEMA FR	C	L	M

SIGNATURES		DATE
MODEL	VINAY	12/10/07
DETAIL	.	.
CHECKED	.	.
ENGRG	.	.
MFG	.	.
FOR ADDITIONAL INFO REFER TO:		
APPLIED PRACTICES	QUALITY	.
DIMENSIONS ARE IN INCHES	ISSUED	VINAY 12/10/07
MATERIAL	SOLID MODEL: 52A111834	

**REGAL-BELOIT CORPORATION**

**OUTLINE**

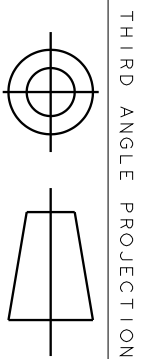
**CARBONATOR PUMP - DRIP PROOF**

**RESIL. BASE - BALL BRG.**

SIZE DRAWING: **52A111834** REV **1**

SCALE: 1.000 REF. No. . SHEET 1 of 1

REV SHEET  
1 1

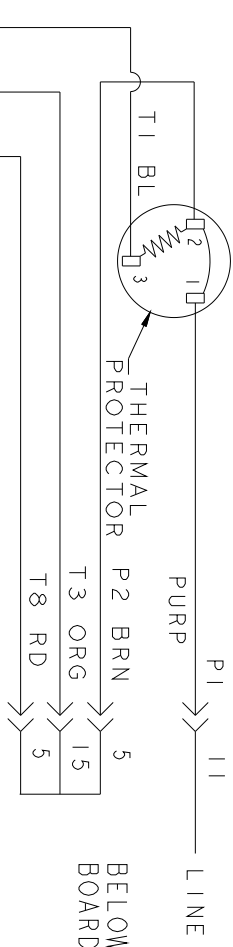


THIRD ANGLE PROJECTION

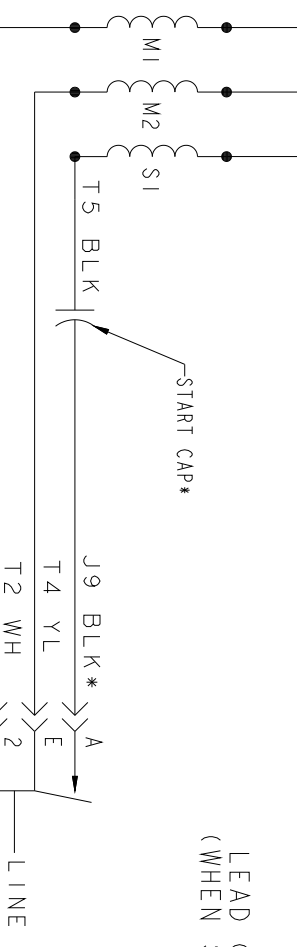
REVISIONS

REV.	DESCRIPTION
1	UPDATED TO RBC FORMAT

EITHER ROTATION, SINGLE VOLTAGE, TYPE KC OR KH, WI



LEAD CLAMP  
(WHEN SPEC.)



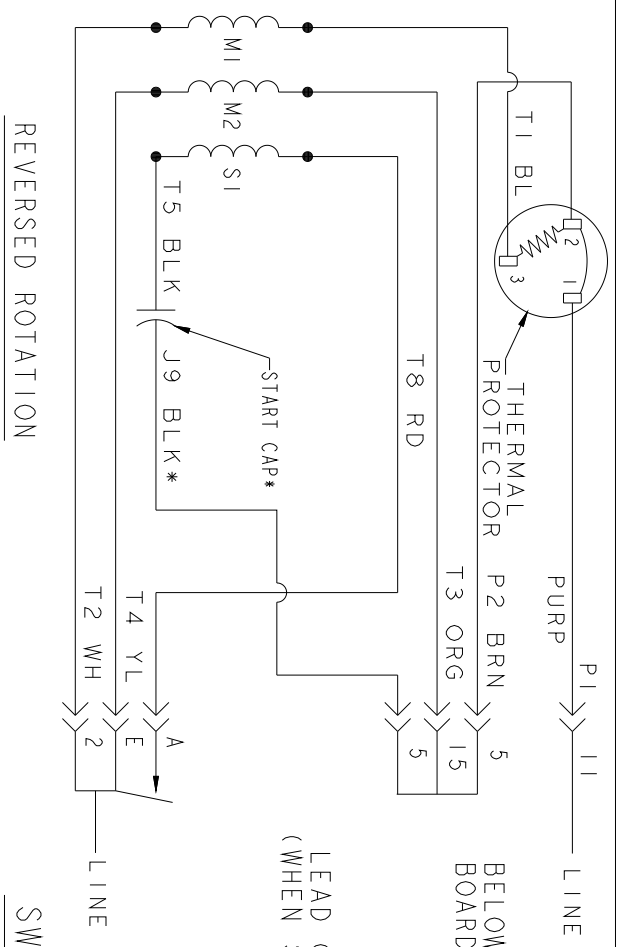
LEAD CLAMP  
(WHEN SPEC.)

4 of 4

SIZE DRAWING NO.  
A 52A110586

STANDARD ROTATION

SWITCH B



LEAD CLAMP  
(WHEN SPEC.)

REVERSED ROTATION

SWITCH B

NOTE #1 - START CAP & J9 WHEN SPECIFIED (\*). IF NO CAPACITOR DIRECTLY TO SWITCH (A). WHEN MORE THAN ONE CAPACITOR IN PARALLEL.

NOTE #2 - TO REVERSE ROTATION, INTERCHANGE RD(T8) AND BLK(J9)

SWITCH REF. - 115D958AB CONNECTION LA



CONNECTION

SIGNATURES	DATE
MODEL DEBRAJ	04/28/05
DETAIL	.
CHECKED	.
ENGRG	.
MEG	.
QUALITY	.
ISSUED	04/28/05
SOLID MODEL: 52A110586	

TITLE	SCALE: 1.000	REF. No.:
FMF: 30 FRAME S	A	
SIZE DRAWING		

